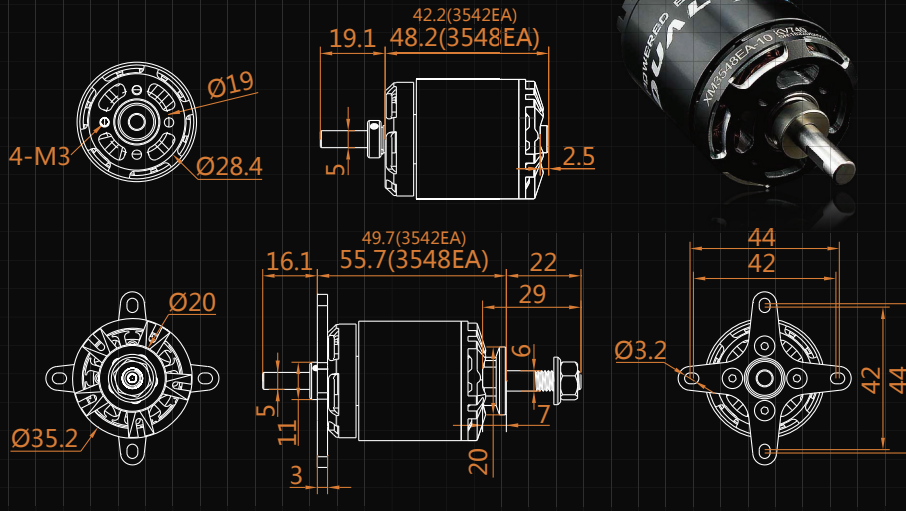


Dimension 尺寸图



Specification 规格

EA V3 SERIES	XM3548EA-8	XM3548EA-10	XM3548EA-14
SKU (商品编码)	51858	51859	51860
KV (KV值)	920	740	530
Weight(g) (重量, 不含配件)	177	177	175
Dimensions(D x L)[mm] (尺寸)		35.2x48.2	
Diameter of Shaft (mm) (轴径)		5.0	
Spec. of Mounting Holes (安装孔距)		4-M3, 19/19	
Input Connectors (输入插头)		DB3	
Dimensions of Stator(mm) (定子尺寸)		2826	
Slots & Poles (槽数, 极数)		12N14P	
Ri(mOhm) (电机内阻)	19	27	51
Io@10V (A) (空载电流)	2.2	1.5	0.9
No.of Cells(LiPo) (适用电池)	3..4 ¹	4 ¹ .5	5..6 ¹
Efficiency Current[A] (效率电流)	24.0	20.0	17.5
Burst Current (15S)[A] (峰值电流)	48	40	35
Peak Power(15S)[W] (峰值功率)	768	800	840
Peak Torque [N·M] (峰值扭矩)	0.62	0.65	0.79
Recommended ESC (推荐调速器)	XC6018BA	XC4018BA	XC4018BA
Recommended Propeller (螺旋桨)	3S: 14x6E 4S ¹ : 11x7E, 12x7E ²	4S ¹ : 14x7E ² 5S: 12x7E, 13x6.5E ²	5S: 14x7E, 15x8E 6S ¹ : 13x6.5E
Application (适用级别)		32E, .25-.32 2-stroke	

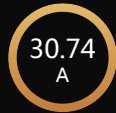
注: ¹ Suggested working voltage(NOC) 建议工作电压(串联节数)

² Good throttle management needed 可在有效控制油门的情况下使用

11.1V

XM3548EA-8 (920KV)

Motor @ Optimum Efficiency 优化效率点



Current
电流



Voltage
电压



Revolutions
转速



electric Power
电功率



mech. Power
机械功率



Efficiency
效率

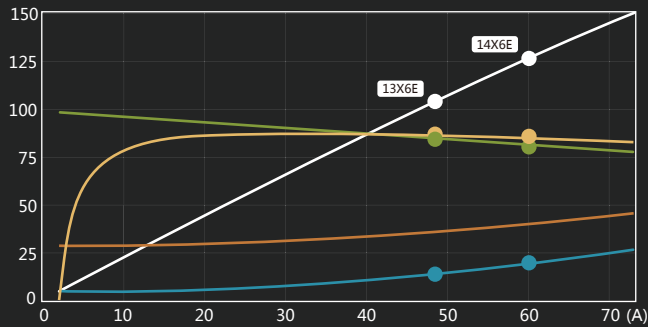
EL.POWER 电功率 [IN 2W]

EFFICIENCY 效率 [%]

MAX. REVOLUTIONS
转速 [IN 100RPM]

WASTE POWER
损耗功率 [IN 2W]

MOTOR CASE TEMP.
马达壳体温度 [°C]



Voltage 电压 (V)	Propeller 转速 (RPM)	Throttle 油门 (%)	Current 电流 (A)	Volage 电压 (V)	el. Power 电功率 (W)	Efficiency 效率 (%)	Thrust 拉力 (g)	Spec. Thrust 桨效率 (g/W)
----------------------	--------------------------	-----------------------	----------------------	---------------------	-------------------------	-------------------------	---------------------	------------------------------

11.1V
(3S LIPO)

13X6E								
4200	45		5.9	11.1	65.3	84.1	626	9.6
4800	52		8.8	11	95.9	85.6	817	8.5
5400	60		12.4	11	135.2	86.4	1034	7.7
6000	67		17	11	184.5	86.9	1277	6.9
6600	74		22.6	10.9	245	87.1	1545	6.3
7200	82		29.6	10.9	318.1	87.1	1839	5.8
7800	90		37.9	10.8	405	86.9	2158	5.3
8400	99		47.9	10.7	507.1	86.7	2503	4.9
8473	100		49.4	10.7	523	86.4	2547	4.9
14X6E								
4200	46		7.9	11	86.9	85	781	9
4800	54		11.8	11	128.6	85.8	1021	7.9
5400	61		16.8	11	182.4	86.1	1292	7.1
6000	69		23.2	10.9	250.2	86.1	1595	6.4
6600	77		31.1	10.8	333.8	85.9	1930	5.8
7200	86		40.9	10.8	435	85.6	2297	5.3
7800	95		52.8	10.7	555.8	85.2	2695	4.8
8141	100		60.9	10.6	637	84.7	2936	4.6

14.8V

XM3548EA-8 (920KV)

Motor @ Optimum Efficiency 优化效率点



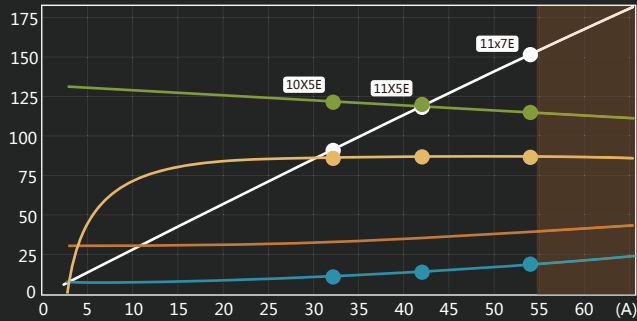
EL.POWER 电功率 [IN 2W]

EFFICIENCY 效率 [%]

MAX. REVOLUTIONS 转速 [IN 100RPM]

WASTE POWER 损耗功率 [IN 2W]

MOTOR CASE TEMP. 马达壳体温度 [°C]



Voltage 电压 (V)	Propeller 转速 (RPM)	Throttle 油门 (%)	Current 电流 (A)	Volage 电压 (V)	el. Power 电功率 (W)	Efficiency 效率 (%)	Thrust 拉力 (g)	Spec. Thrust 桨效率 (g/W)
14.8V (4S LIPO)	10X5E							
	6300	49	4.6	14.7	67.1	80.7	534	8
	7200	57	6.6	14.7	97.1	83.2	697	7.2
	8100	64	9.3	14.7	135.5	84.9	883	6.5
	9000	72	12.6	14.7	183.4	86	1090	5.9
	9900	79	16.6	14.6	241.8	86.9	1319	5.5
	10800	87	21.5	14.6	311.9	87.4	1569	5
	11700	95	27.4	14.5	394.8	87.8	1842	4.7
	12223	100	31.3	14.4	450.2	87.6	2010	4.5
	11X5E							
	6300	50	6.4	14.7	93.8	84.4	711	7.6
	7200	58	9.4	14.7	137.4	86.1	928	6.8
	8100	65	13.3	14.7	193.2	87.2	1175	6.1
	9000	73	18.1	14.6	263.1	87.8	1450	5.5
	9900	81	24.1	14.5	348.6	88.2	1755	5
	10800	90	31.4	14.4	451.6	88.4	2089	4.6
	11700	98	40.2	14.3	573.7	88.5	2451	4.3
	11876	100	42.3	14.3	602.5	88.1	2525	4.2
	11x7E							
	6400	52	9.2	14.7	134.4	86.5	1027	7.6
	7200	59	13	14.7	189.5	87.4	1300	6.9
	8000	66	17.8	14.6	258.5	87.9	1604	6.2
	8800	73	23.8	14.5	343.2	88.1	1941	5.7
	9600	81	31	14.5	445.2	88.2	2310	5.2
	10400	89	39.8	14.4	566.4	88.1	2712	4.8
	11200	97	50.2	14.2	708.5	88	3145	4.4
	11487	100	54.7	14.2	769.3	87.6	3308	4.3