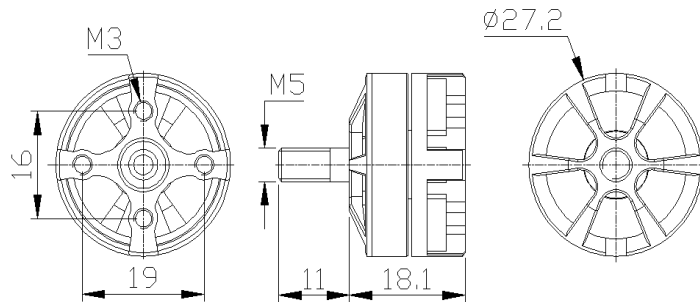


Black Widow 2204-18A Specification



Stator Diameter	22mm		
Stator Thickness	4mm		
Poles	12N 14P		
Model number	5018310716D1(CW)	5018310718D1(CW)	5018310719D1(CW)
	5018310716D0(CCW)	5018310718D0(CCW)	5018310719D0(CCW)
KV	2300KV	2000KV	1900KV
Resistance	0.1071Ω	0.1592Ω	0.1681Ω
Max Watts	140W	140W	140W
Rotor Diameter	27.2mm		
Shaft Diameter	M5×11mm		
Bell Length	18.1mm		
Recommend prop size	5-6inch		
Battery Wire length	18# 180mm		
Rx cable length	180mm		
Weight	35g		
ESC Cont.Current	18A		
ESC burst Current	28A		
Programmable	Yes		
BEC output	No		
Input Voltage	2-3S Lipo (>2000KV)	2-4S(<2000KV)	