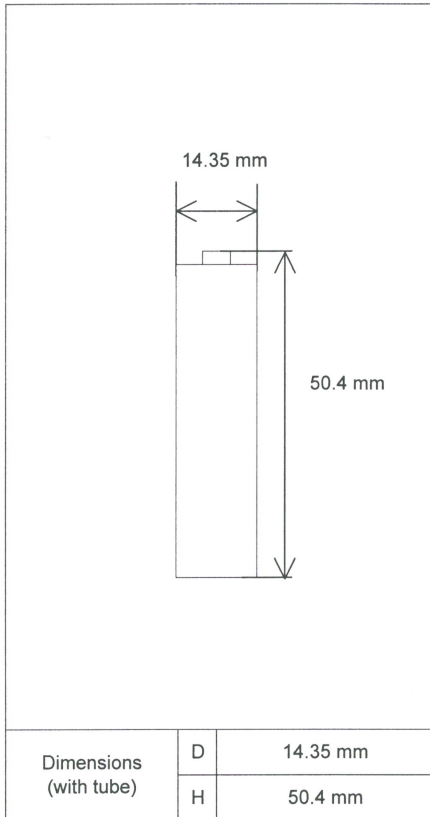


Specifications

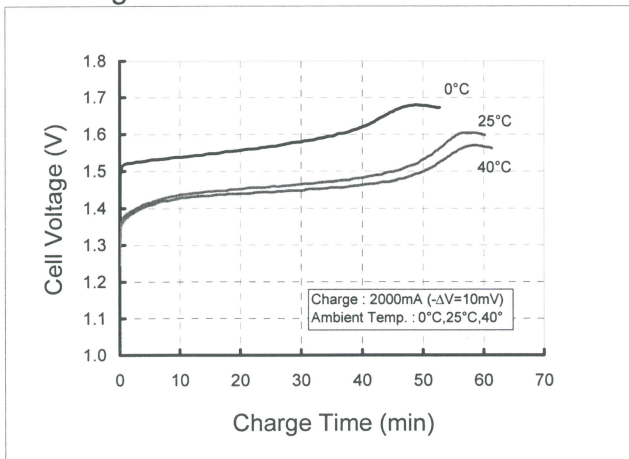


| | | | |
|--|---------------------------|---------------------------|--------------|
| Type : Nickel-Metal Hydride Battery | | Size : AA Consumer Type | |
| Capacity ¹⁾ | Typical | 2000mAh | |
| | Minimum | 1900mAh | |
| Nominal Voltage | | 1.2V | |
| Charging Current x Time | Fast Charge ²⁾ | 2000mA × 1.1h | |
| Ambient Temp. | Charge Condition | Fast Charge ²⁾ | |
| | Discharge Condition | 0°C - 40°C | |
| | Storage Condition | Less than 90days | 0°C - 50°C |
| | | Less than 1year | -20°C - 40°C |
| Internal Impedance ³⁾ (after discharge to E.V.=1.0V) | | Approx. 25mΩ (at 1000Hz) | |
| Weight ⁴⁾ | | Approx.27g | |
| Size ⁴⁾ : (Diameter) x (Height) | | 14.35(D) x 50.4(H) mm | |

- 1) Single cell capacity under the following condition.
Charge : 200mA×16h, Discharge : 400mA(E.V.=1.0V) at 25°C
- 2) Use recommended charging system.
- 3) After a few charge and discharge cycles under the above 1) condition.
- 4) With tube.

Typical Characteristics

Charge



Discharge

